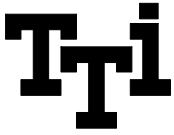


Solid State Relay



SVA

VR Control AC

MAIN FEATURES

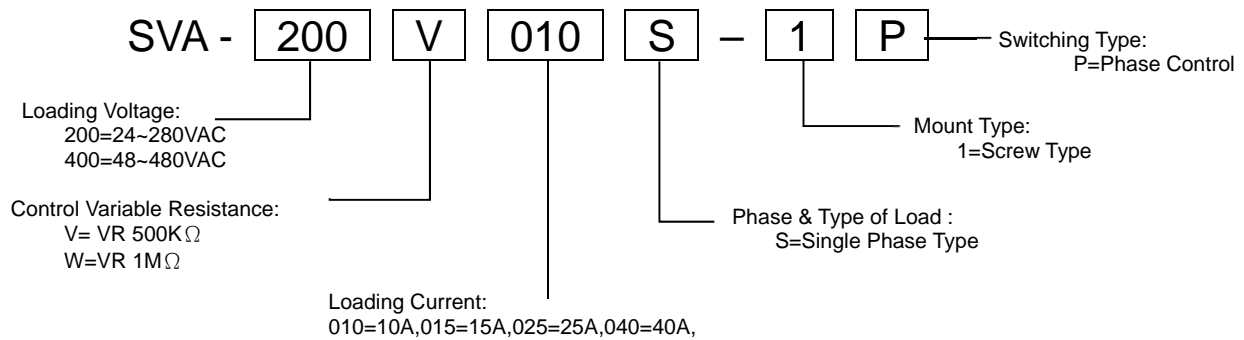
- Varistor control AC loading SSR
- High Stable Reliability
- Non Switching Sparks
- Non Noise
- Non Mechanical Contact
- Low control Power Consumption
- High Speed Reaction

APPLICATIONS

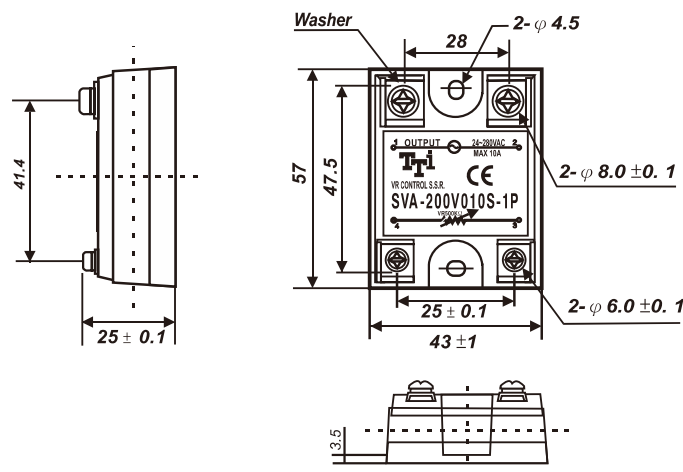
- Industrial Control Systems
- Lighting Systems
- Vending Machines
- Production Systems
- Temperature Control Systems
- Electronics Home Appliances
- Medical Equipment
- Conveying Systems



ORDERING INFORMATION



OUTLINE DIMENSION (unit:mm)

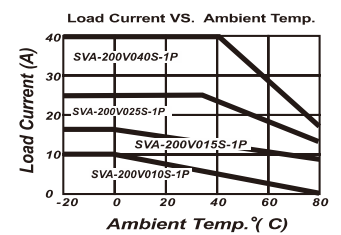
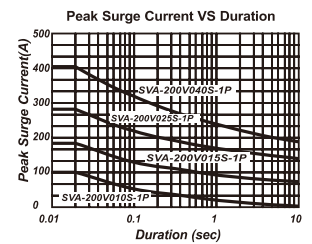
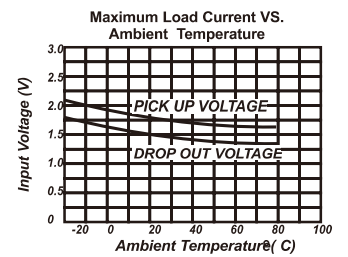
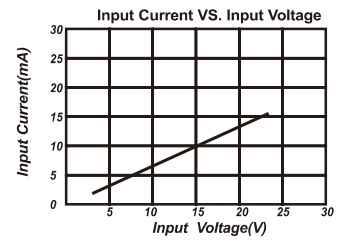


Solid State Relay

SPECIFICATIONS

MODEL NO.	SVA-200V010S-1P		SVA-400W025S-1P		
	SVA-200V015S-1P		SVA-400W040S-1P		
	SVA-200V025S-1P		SVA-400W050S-1P		
	SVA-200V040S-1P		SVA-400W075S-1P		
	SVA-200V050S-1P		SVA-400W090S-1P		
	SVA-200V075S-1P				
	SVA-200V090S-1P				
MOUNT TYPE		Screw Type			
PHASE		Single Phase			
TYPE OF LOAD		NA			
INPUT	Control Variable Resistance	VR0-500K Ohm	VR0-1M Ohm		
	Must Turn Off Voltage	NA			
	Input Impedance	1.5 K Ω			
OUTPUT	Max. Load Current	10A,15A,25A,40A50A,75A,90A			
	Load Voltage Range	24~280VAC	48~480VAC		
	Min. Blocking Voltage	600VAC peak	1200VAC peak		
	Max. Off-State Leakage	Less 3mA		Less 5mA	
	Max.1 cycle Peak Surge	100A,150A,250A,400A, 500A,750A,900A	250A,400A,500A, 750A,900A		
	Max. Off State dv/dt	500V/ μ sec	1000V/ μ sec		
GENERAL RATING	Isolate Impedance	1G Ω			
	Dielectric Strength	NA			
	Input-Output	4000VAC RMS			
	Input , output-Case				
	Turn On Time	Less 2 ms			
	Turn Off Time	Less 0.5AC Cycle			
	Frequency Range	47~70Hz			
	Operating Temperature	-20~+80 $^{\circ}$ C			
Switching Type	Phase Control				
Weight (g)		100g			
Compliance		CE,RoHS			

CHARACTERISTIC CURVES



EQUIVALENT CIRCUIT

