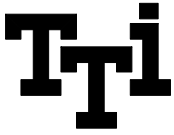


Solid State Relay



SIA

CURRENT Control AC

MAIN FEATURES

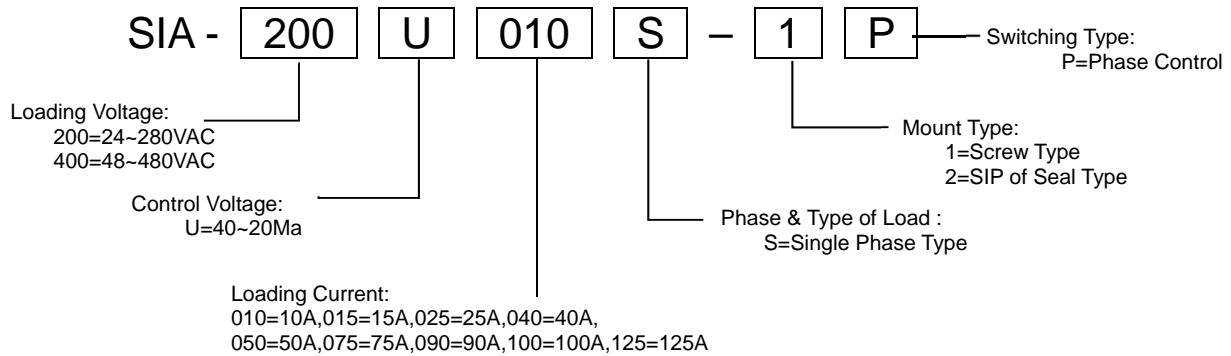
- Current Drive AC loading SSR
- High Stable Reliability
- Non Switching Sparks
- Non Noise
- Non Mechanical Contact
- Low control Power Consumption
- High Speed Reaction

APPLICATIONS

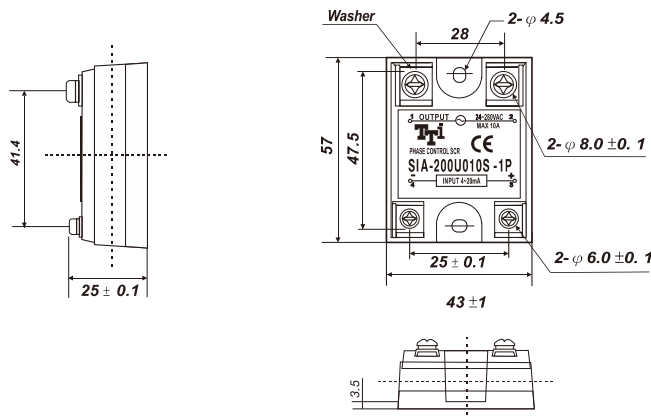
- Industrial Control Systems
- Lighting Systems
- Vending Machines
- Production Systems
- Temperature Control Systems
- Electronics Home Appliances
- Medical Equipment
- Conveying Systems



ORDERING INFORMATION



OUTLINE DIMENSION (unit:mm)



Solid State Relay

SPECIFICATIONS

| | | | |
|----------------|------------------------|-------------------------------------|------------------|
| MODEL NO. | SIA-200U010S-1P | SIA-400U010S-1P | |
| | SIA-200U015S-1P | SIA-400U015S-1P | |
| | SIA-200U025S-1P | SIA-400U025S-1P | |
| | SIA-200U040S-1P | SIA-400U040S-1P | |
| | SIA-200U050S-1P | SIA-400U050S-1P | |
| | SIA-200U075S-1P | SIA-400U075S-1P | |
| | SIA-200U090S-1P | SIA-400U090S-1P | |
| MOUNT TYPE | Screw Type | | |
| PHASE | Single Phase | | |
| TYPE OF LOAD | NA | | |
| INPUT | Control Voltage Range | 4~20mA or 0~10VDC | |
| | Must Turn Off Voltage | MAX. 3VDC | |
| | Input Impedance | 1.5 K Ω | |
| OUTPUT | Max. Load Current | 10A,15A,25A,40A,50A,75A,90A | |
| | Load Voltage Range | 24~280VAC | 48~480VAC |
| | Min. Blocking Voltage | 600VAC peak | 1200VAC peak |
| | Max. Off-State Leakage | Less 3mA | Less 5mA |
| | Max.1 cycle Peak Surge | 100A,150A,250A,400A,500A | |
| | Max. Off State dv/dt | 500V/ μ sec | 1000V/ μ sec |
| GENERAL RATING | Isolate Impedance | 1G Ω | |
| | Dielectric Strength | 4000VAC RMS | |
| | | Input-Output Input , Output-Case | 4000VAC RMS |
| | Turn On Time | Less 2 ms | |
| | Turn Off Time | Less 0.5AC Cycle | |
| | Frequency Range | 47~70Hz | |
| | Operating Temperature | -20~+80 $^{\circ}$ C | |
| | Switching Type | Phase Control | |
| Weight (g) | 100g | | |
| Compliance | CE , RoHS | | |

EQUIVALENT CIRCUIT

