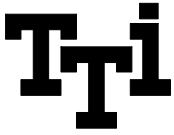


Solid State Relay



SDA

DC Control AC

MAIN FEATURES

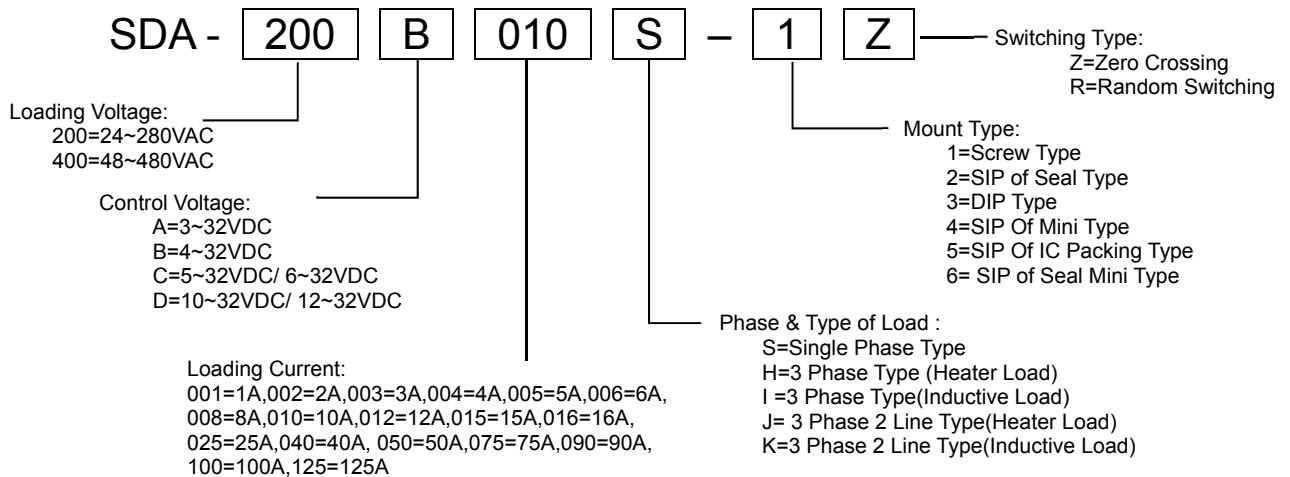
- DC Voltage Drive AC loading SSR
- High Stable Reliability
- Non Switching Sparks
- Non Noise
- Non Mechanical Contact
- Low control Power Consumption
- High Speed Reaction

APPLICATIONS

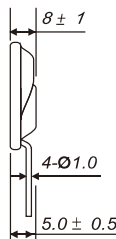
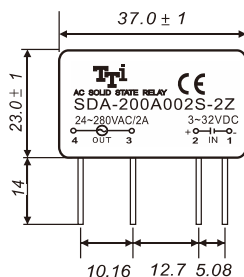
- Industrial Control Systems
- Lighting Systems
- Vending Machines
- Production Systems
- Temperature Control Systems
- Electronics Home Appliances
- Medical Equipment
- Conveying Systems



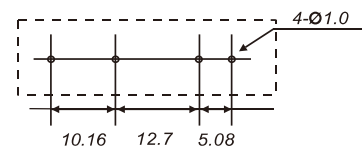
ORDERING INFORMATION



OUTLINE DIMENSION (unit:mm)



SIP of Seal Series



SPECIFICATIONS

MODEL NO.	SDA-200A002S-2Z	SDA-400A002S-2Z	
	SDA-200A003S-2Z	SDA-400A003S-2Z	
	SDA-200A004S-2Z	SDA-400A004S-2Z	
	SDA-200A005S-2Z	SDA-400A005S-2Z	
	SDA-200A006S-2Z	SDA-400A006S-2Z	
	SDA-200A002S-2R	SDA-400A002S-2R	
	SDA-200A003S-2R	SDA-400A003S-2R	
	SDA-200A004S-2R	SDA-400A004S-2R	
	SDA-200A005S-2R	SDA-400A005S-2R	
SDA-200A006S-2R	SDA-400A006S-2R		
MOUNT TYPE	SIP or Seal Type		
PHASE	Single Phase		
TYPE OF LOAD	Heater load		
	Inductive load		
INPUT	Control Voltage Range	3~32VDC	
	Must Turn Off Voltage	MAX. 10VDC	
	Input Impedance	1.5 KΩ	
OUTPUT	Max. Load Current	2A,3A,4A,5A,6A	
	Load Voltage Range	24~280VAC	24~480VAC
	Min. Blocking Voltage	600VAC peak	1200VAC peak
	Max. Off-State Leakage	Less 3mA	
	Max.1 cycle Peak Surge	20A,30A,40A,50A,60A	
	Max. Off State dv/dt	200V/μsec	1000V/μsec
GENERAL RATING	Isolate Impedance	1GΩ	
	Dielectric Strength	2500VAC	
	Input-Output	—	
	Input , Output-Case	—	
	Turn On Time	Less 2 ms	
	Turn Off Time	Less 0.5AC Cycle	
	Frequency Range	47~70Hz	
	Operating Temperature	-20~+80°C	
	Switching Type	Zero Crossing Random Switching	
Weight (g)	12g		
Compliance	CE , RoHS		

CHARACTERISTIC CURVES & EQUIVALENT CIRCUIT

