



# Telecom Relay TRQ2

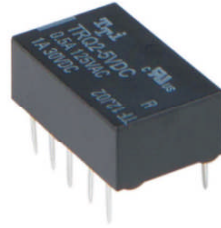
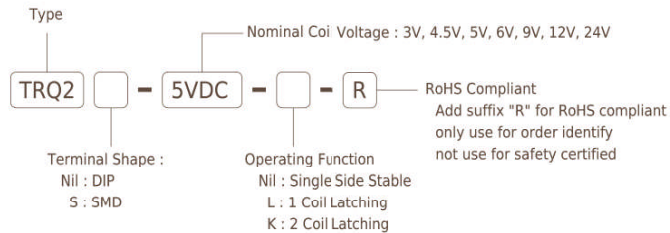
## MAIN FEATURES

- DIL Pitch Terminals High Sensitivity: 0.14W Nominal Power.
- Conforms to FCC Part 68 1.5KV Surge and Dielectric 1000VAC.
- Monostable or bistable relays Single and double Coil magnet latching Type available.
- Contact arrangement: 2 Form C
- UL & cUL recognized.

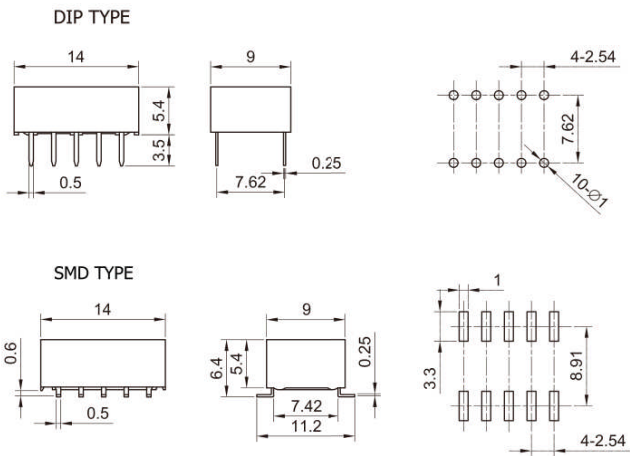
## APPLICATIONS

- Telecommunication Equipment, Office Equipment, Security Alarm Systems, Measuring instruments, Medical Monitoring Equipment, Audio Visual Equipment, Flight Simulator, Sensor Control.

## ORDERING INFORMATION



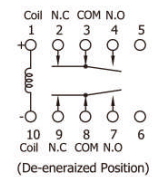
## DIMENSION(unit:mm)



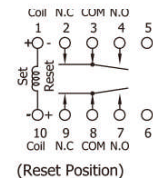
## DRILLING(unit:mm)

## WIRING DIAGRAM

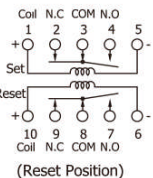
### Single Side Stable



### 1 Coil Latching



### 2 Coil Latching



## COIL DATA CHART(at 20°C )

Coil	Coil Voltage Rated (VDC)	Nominal Current (mA)	Coil Resistance ( $\Omega \pm 10\%$ )	Coil Power (W)	Pickup voltage (VDC) Max. (75% of rated voltage)	Release voltage (VDC) Min. (10% of rated voltage)	Coil Voltage (VDC) Max.
Single Side Stable	3	46.7	64.3	0.14	2.25	0.3	4.5
	4.5	31.0	145	0.14	3.38	0.45	6.7
	5	28.1	178	0.14	3.75	0.5	7.5
	6	23.4	257	0.14	4.50	0.6	9.0
	9	15.5	579	0.14	6.75	0.9	13.5
	12	11.7	1028	0.14	9.00	1.2	18.0
1 Coil Latching	24	8.3	2880	0.20	18.0	2.4	36.0
	3	33.3	90	0.10	2.25	-2.25	4.5
	4.5	22.1	203	0.10	3.38	-3.38	6.7
	5	20.0	250	0.10	3.75	-3.75	7.5
	6	16.7	360	0.10	4.50	-4.50	9.0
	9	11.1	810	0.10	6.75	-6.75	13.5
2 Coil Latching	12	8.3	1440	0.10	9.00	-9.00	18.0
	24	6.3	3840	0.15	18.0	-18.0	36.0
	3	66.7	45	0.20	2.25	2.25	4.5
	4.5	44.5	101	0.20	3.38	3.38	6.7
	5	40.0	125	0.20	3.75	3.75	7.5
	6	33.3	180	0.20	4.50	4.50	9.0
	9	22.2	405	0.20	6.75	6.75	13.5
	12	16.7	720	0.20	9.00	9.00	18.0
	24	12.5	1920	0.30	18.0	18.0	36.0

## CONTACT RATING

Item	TRQ2
Contact Capacity Resistive Load( $\cos\phi=1$ )	1A/30VDC, 0.5A/125VAC
Rated Carrying Current	1A
Max. Switching Voltage	110VDC, 125VAC
Max. Switching Current	1A
Max. Switching Power Force	30W, 62.5VA
Referenced Min. Applicable Load	10mA resistive at 10mVDC
Contact Material	Silver Alloy

## PERFORMANCE(at initial value)

Item	TRQ2	
Contact Resistance	100m $\Omega$ Max. at initial	
Operation Time	Approx. 5msec	
Release Time	Approx. 5msec	
Dielectric Strength	Between open contacts	750VAC (1 minute)
	Between coil & contact	1000VAC (1 minute)
	Between Contacts Poles	1000VAC (1 minute)
Surge Withstand Voltage	Between open Contacts	1500V
	Between coil & Contacts	1500V
	Between Contacts Poles	2500V
Shock Resistance	Functional	490m/s <sup>2</sup>
	Survival	980m/s <sup>2</sup>
Vibration Resistance	Functional	3mm D.A. 10 to 55Hz
	Destructive	5mm D.A. 10 to 55Hz
Terminals resistance	5N	
Solderability	235°C $\pm$ 2°C, 3 $\pm$ 0.5s	
Temperature Range	-40°C ~ 70°C ( -40°F ~ 158°F )	
Insulation Resistance	1000 M $\Omega$ Min. (at 500VDC)	
Life Expectancy	Mechanically	1 $\times$ 10 <sup>8</sup> ops. Min. (no load)
	Electrically	2 $\times$ 10 <sup>7</sup> ops. Min. (1A/30VDC)
	Electrically	1 $\times$ 10 <sup>5</sup> ops. Min. (0.5A/125VDC)
Weight	Abt. 1.5g.	
UL & cUL	E156521	

Only for reference, won't notify if any change.

1. Tolerance  $\pm 0.5$ mm on all dimensions unless otherwise stated.  
2. Tolerance  $\pm 0.1$ mm on PCB DRILLING dimension unless otherwise stated.