



Automotive Relay TRP

MAIN FEATURES

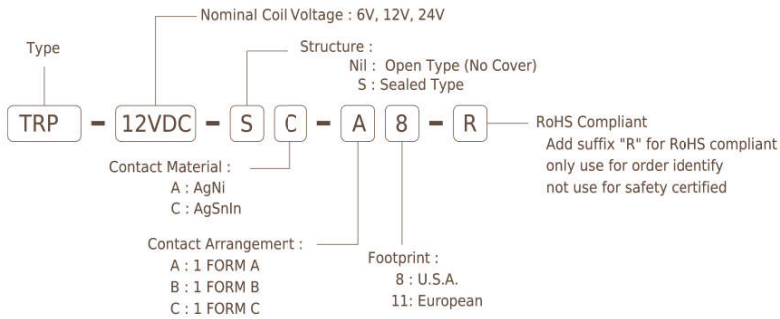
- Subminiature, PCB Mounting.
- Heavy Duty, Silver Alloy Contacts up to 30A or 45A
- 1 Form A, 1 Form B or 1 Form C
- Two different spacing arrangements of terminals are available to meet the world standards.
- Used for Automotives, Industrial Control. Household Appliances and Heavy Loads, etc.



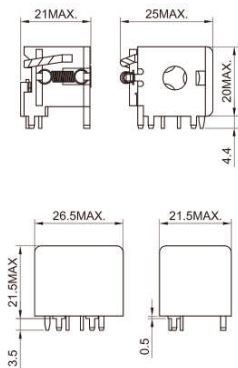
TYPICAL APPLICATIONS IN AUTOMOTIVE INDUSTRY

• Direction Indicators	• Air Conditioning	• Car alarm system
• Interval Wipers Control	• Central door lock	• Initial value control
• Fuel Pump Control	• Anti-lock braking system	• Automatic mirror adjustment
• Ventilation Motor	• Self tension adjustment	• Sliding roof
• Hazard Lights	• Window lifter	• Rear Window Heating
• Heater Control	• Seat positioning	• Flashes or turning signals

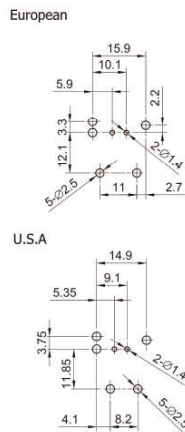
ORDERING INFORMATION



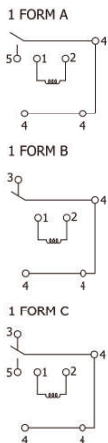
DIMENSION(unit:mm)



DRILLING(unit:mm)



WIRING DIAGRAM



(De-eneraized Position)

COIL DATA CHART(at 20°C)

Coil Sensitivity	Coil Voltage Code	Nominal Voltage (VDC)	Nominal Current (mA)	Coil Resistance (Ω) ±10%	Power Consumption (W)	Pull-In Voltage (VDC)	Drop-Out Voltage (VDC)	Max-Allowable Voltage (VDC)
TRP	6	6	315	19	abt. 1.6 ~ 1.9	60% Max.	10% Min.	160%
	12	12	136	90				
	24	24	67	360				

CONTACT RATING

Item	TRP			
	Form A (1H)	Form B (1D)	Form C (1Z)	
			N.O.	N.C.
Contact Rating Resistive	40A/15VDC 12A/60VAC			
Max. Continuous Current	45A	30A	45A	30A
Max. Make Current	100A	30A	100A	30A
Max. Break Current	60A	30A	60A	30A
Max. Switch Voltage	75VDC, 60VAC			
Contact Material	Silver Alloy			

PERFORMANCE(at initial value)

Item	TRP
Contact Resistance	100 mΩ Max.
Operate Time	5msec Max.
Release Time	3msec Max.
Dielectric Strength	500Vrms.
Insulation Resistance	100 MΩ Min. (at 500VDC)
Operating Ambient Temperature	-40°C to +125°C (See Ambient Temperature carry -40°C to +155°C (No water condensation and no water drop)
Operating Humidity	98% RH at 20°C
Vibration Endurance	20 Hz to 200Hz Double Amplitude 1.5mm
Shock	150m/sec ² , 11ms
Life Expectancy Mechanically Electrically	1 × 10 ⁷ ops. Min. (no load) 1 × 10 ⁵ ops. Min. (at rated coil voltage)
Weight	Abt. 18g.(open frame) Abt. 22.5g.(sealed)

Only for reference, won't notify if any change.

1.Tolerance ±0.5mm on all dimensions unless otherwise stated.
2. Tolerance ±0.1mm on PCB DRILLING dimension unless otherwise stated.