



# Automotive Relay TRM

## MAIN FEATURES

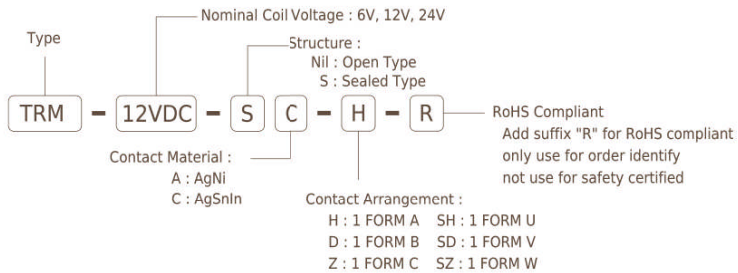
- Single CONTACT and double CONTACT Types offer switching capacity by 15A in small size for exclusive automobile control relay switching box use.
- PC board terminal
- Simple magnetic circuit to meet mass production for low cost offer. Standard type is open type without dust cover. If dust cover required, suitable cased relay can be prepared.
- Operating ambient temperature range covers from -40°C by 85°C at no current on relay's CONTACTS.



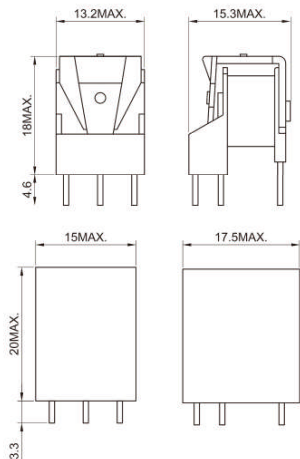
## APPLICATIONS

- Car control switching box (alarm system, automatic door locking) wiper motor Reversing, window Lifter, Flashers or turning signals, Air conditioning, Fuel pump control system, etc.

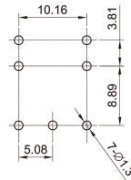
## ORDERING INFORMATION



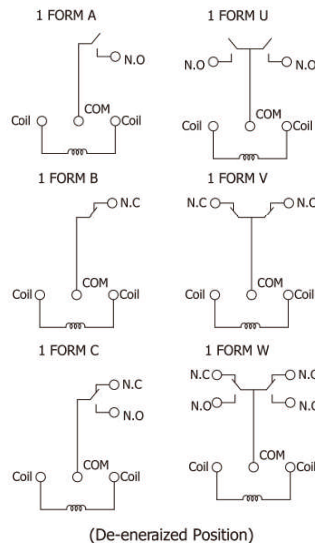
## DIMENSION(unit:mm)



## DRILLING(unit:mm)



## WIRING DIAGRAM



## COIL DATA CHART(at 20°C)

Coil Sensitivity	Coil Voltage Code	Nominal Voltage (VDC)	Nominal Current (mA)	Coil Resistance (Ω) ±10%	Power Consumption (W)	Pull-In Voltage (VDC)	Drop-Out Voltage (VDC)	Max-Allowable Voltage (VDC)
TRM	6	6	215	28	1.3W	75% Max	10% Min	130%
	12	12	93	130	1.1W			
	24	24	46	520	1.1W			

## CONTACT RATING

Item	TRM	
	SH(1U), SD(1V), SZ(1W)	H(1A), D(1B), Z(1C)
Contact Capacity	2 x 10A 120VAC	10A/120VAC
Resistive Load (cosφ=1)	2 x 10A 28VDC 2 x 20A 14VDC	10A/28VDC 20A/14VDC
Inductive Load (cosφ=0.4 L/R=7msec)	2A/120VAC 5A/12VDC	1A/120VAC 3A/12VDC
Rated Carrying Current	10A	10A
Max. Allowable Voltage	380VAC, 75VDC	380VAC, 75VDC
Max. Allowable Current	10A	10A
Max. Allowable Power Force	2 x 1200VA, 2 x 280W	1200VA, 280W
Referenced Min. Applicable Load	5VDC 10mA	5VDC 10mA
Contact Material	Silver Alloy	

## PERFORMANCE(at initial value)

Item	TRM
Contact Resistance	100mΩ Max.
Operation Time	6msec Max.
Release Time	3msec Max.
Dielectric Strength	500VAC 50/60Hz (1 minute) 1000VAC 50/60Hz (1 minute)
Surge Resistiveness	2000V (between coil & contact 1x40 usec)
Insulation Resistance	100 MΩ Min. (at5000VDC)
Max. ON/OFF Switching	300 operation/min 30 operation/min
Operating Ambient Temperature	-40°C to +85°C (No water condensation and no water drop)
Operating Humidity	98% RH at 20°C
Coil Temperature Rise	60 deg. Max. (at rated coil voltage)
Vibration	10 to 55Hz Double Amplitude 1.5mm Error Operation
Shock	100G Min. 10G Min.
Life Expectancy	1 x 10 <sup>7</sup> ops. Min. (no load) 1 x 10 <sup>5</sup> ops. Min. (at rated coil voltage)
Weight	Abt. 12g. (sealed), 9g. (open Frame)

Only for reference, won't notify if any change.