



# Automotive Relay TR94

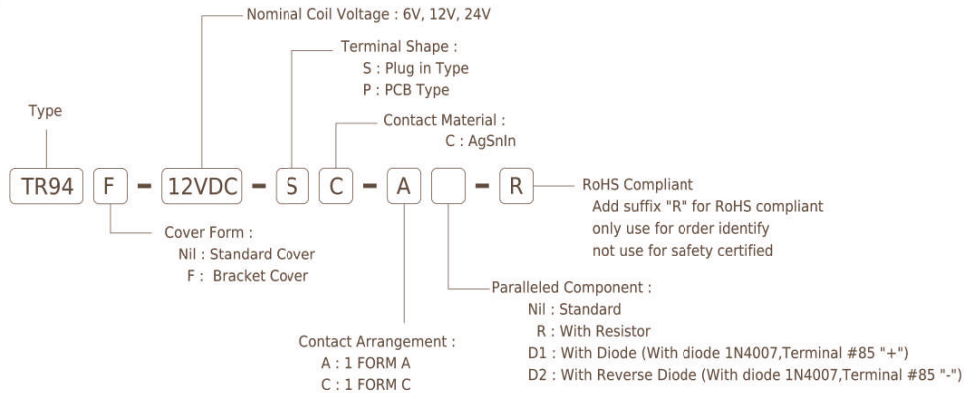
## MAIN FEATURES

- Plug-in terminals, easy to handle worldwide changeable, with ISO socket.
- Small size, high capacity, rated load 80A.
- Usage of relay in car
- Compressor Light Starter Horn

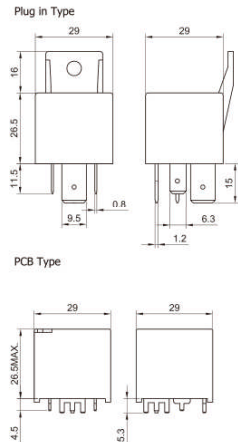
## APPLICATIONS

- For direct connection with Cell Motors, Transmission, etc. and Anti-Locking Brake System

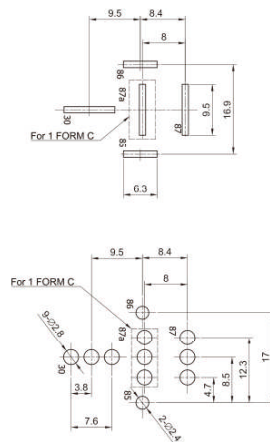
## ORDERING INFORMATION



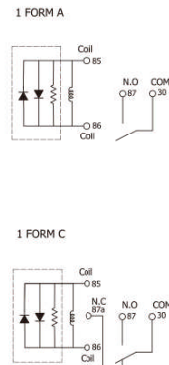
## DIMENSION(unit:mm)



## DRILLING(unit:mm)



## WIRING DIAGRAM



## COIL DATA CHART(at 20°C )

Coil Sensitivity	Coil Voltage Code	Nominal Voltage (VDC)	Nominal Current (mA)	Coil Resistance (Ω) ±10%	Power Consumption (W)	Pull-In Voltage (VDC)	Drop-Out Voltage (VDC)	Max-Allowable Voltage (VDC)
TR94	6	6	300	20	abt. 1.8	75% Max.	5% Min.	130% but for short time carrying current
	12	12	150	80				
	24	24	75	320				

## CONTACT RATING

Item	TR94	
	1 Form A	1 Form C
Contact Rating	80A/14VDC	N.O. : 80A/14VDC N.C. : 60A/14VDC
Max. Carrying Current	80A	
Max. Make Current	120A	
Max. Break Current	80A	
Max. Switching Voltage	75VDC	
Max. Switching Power	70 ~ 500Watts DC	
Contact Material	Silver Alloy	

## PERFORMANCE(at initial value)

Item	TR94
Contact Resistance	100mΩ Max.
Operation Time	10msec Max.
Release Time	10msec Max. (type with diode inside : 20msec max.)
Dielectric Strength Between coil & contact Between contacts	500VAC 50/60Hz (1 minute) 500VAC 50/60Hz (1 minute)
Insulation Resistance	100 MΩ Min. (at 500VDC)
Max. ON/OFF Switching Mechanically Electrically	300 operation/min 30 operation/min
Operating Ambient Temperature	-30°C to +80°C (No water drop condensation)
Operating Humidity	80% (at 40°C) RH
Coil Temperature Rise	60 deg. Max. (at rated coil voltage)
Vibration Endurance Error Operation	10 to 55Hz Double Amplitude 1.5mm 10 to 55Hz Double Amplitude 1.5mm
Shock Endurance Error Operation	100G Min. 10G Min.
Life Expectancy Mechanically Electrically	1 × 10 <sup>7</sup> ops. 1 × 10 <sup>5</sup> ops.
Weight	Abt. 45g.

1.Tolerance ±0.5mm on all dimensions unless otherwise stated.  
2. Tolerance ±0.1mm on PCB DRILLING dimension unless otherwise stated.